



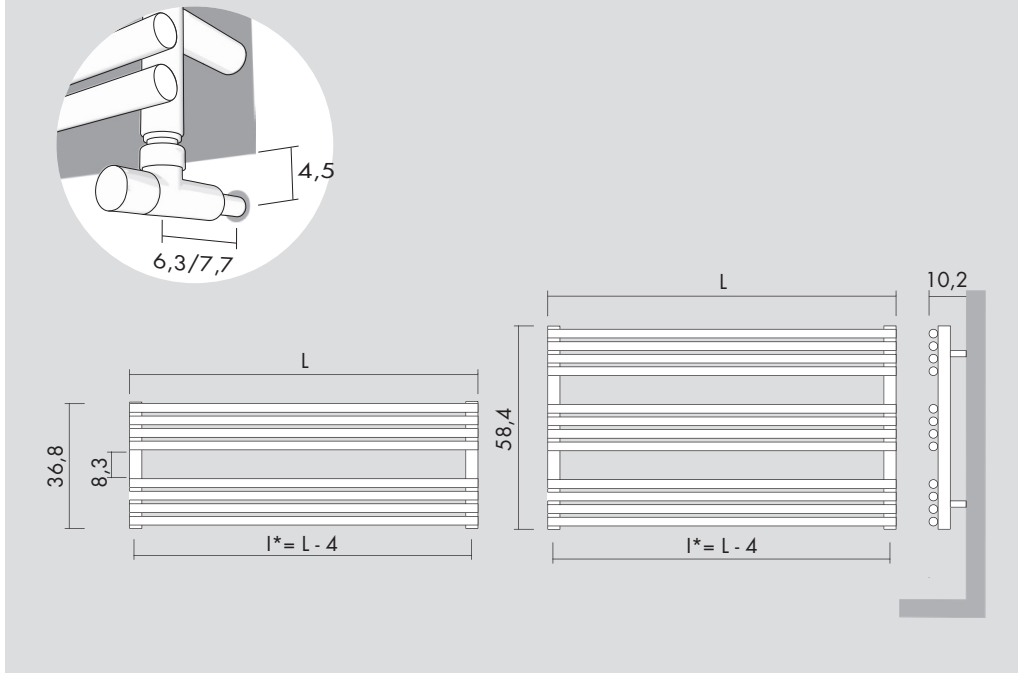
# BDO 25



Kcal = Watt x 0.860 BTU = Watt x 3.413

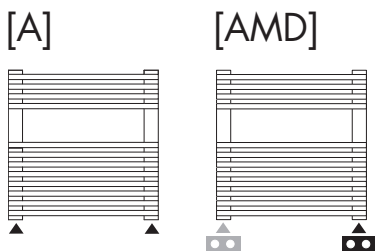
Watt Δt 60° = Watt Δt 50° x 1.238  
 Watt Δt 40° = Watt Δt 50° x 0.770  
 Watt Δt 30° = Watt Δt 50° x 0.550  
 Watt Δt 20° = Watt Δt 50° x 0.342

p max = 10.0 bar

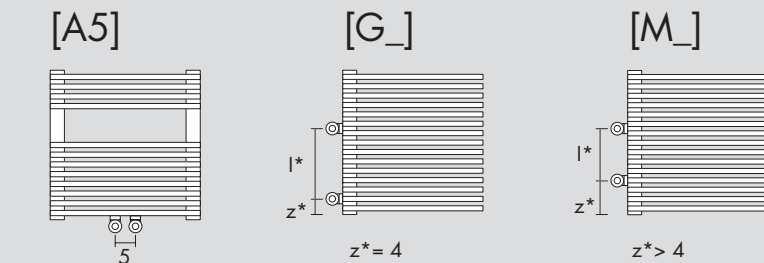


H cm	L cm	I* cm	art*	[B] STOCK	lit*	watt Δt 30°	watt Δt 50°
36.8	120.0	116.0	<b>BD25S120036_</b>	STOCK	5.4	263	<b>479</b>
36.8	140.0	136.0	<b>BD25S140036_</b>	STOCK	6.2	307	<b>559</b>
36.8	160.0	156.0	<b>BD25S160036_</b>	STOCK	7.0	351	<b>639</b>
58.4	120.0	116.0	<b>BD25S120058_</b>	STOCK	8.2	395	<b>719</b>
58.4	140.0	136.0	<b>BD25S140058_</b>	STOCK	9.4	461	<b>838</b>
58.4	160.0	156.0	<b>BD25S160058_</b>	STOCK	10.5	527	<b>958</b>

Standard connection / Raccord standard  
 Standard Anschluss / Conexión estándar



Special connection / Raccord spéciale / Speziell Anschluss / Conexión especial



Replace \_ with connection S (Left) or D (Right). / Remplacer le \_ avec raccordement S (Gauche) ou D (Droite). /  
 Um linker oder rechter Anschluss zu bestellen, bitte das Symbol \_ mit S (links) oder D (rechts) ersetzen. /  
 Sustituir el \_ con las conexiones S (Izquierda) o D (Derecha).

## Optional

<p>(P* = 224)</p>	<p>(P* = 226)</p>	<p>(I* = 5 cm)</p>	<p>∅ ≤ 16 mm                  [BIAN] <b>CTB</b>                  [CROM] <b>CTR</b></p> <p>16 mm &lt; ∅ &lt; 24 mm                  [BIAN] <b>CWB</b>                  [CROM] <b>CWR</b></p>	<p>2 pz.                  (P* = 220)</p>
Angled Valve Vanne équerre Eckausführung Ventil Válvula a escuadra [BIAN] <b>E12SQB</b> [CROM] <b>E12SQR</b>	Thermostatic head Tête thermostatique Thermostatkopf Cabezal termostático [BIAN] <b>TTB</b> [CROM] <b>TTR</b>	Sleaving kit Kit couvre tuyau Rosetten Kit cubre tubo [BIAN] <b>C5B</b> [CROM] <b>C5R</b>	Towel hooks Paire de patère Crochet des Buegl Percha [CROM] <b>BA25R</b> [COLOUR] <b>BA25C</b> [GOLD] <b>BA25G</b>	

art\* = item / modèle / Artikel / artículo    I\* = pipe centres / distance entre depart et retour / Achsabstand / distancia entre las conexiones  
 lit\* = water content for each element / volume d'eau pour chaque element / Wassergehalt für Element / contenido de agua por cada elemento  
 P\* = page / page / Seite / página