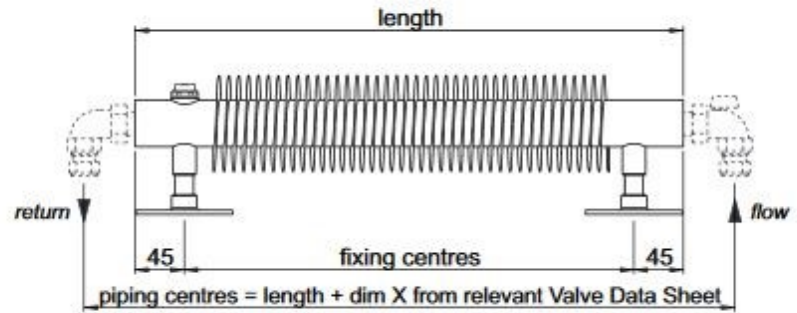
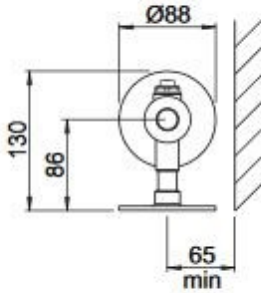
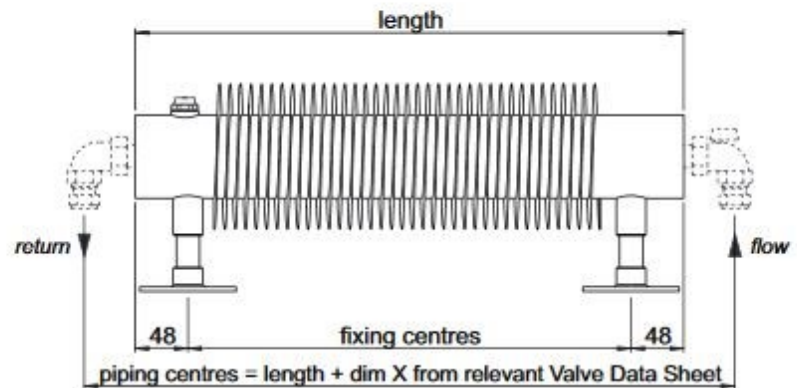
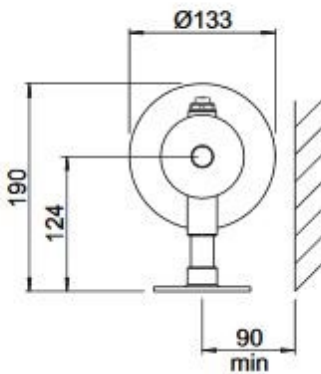


Flow Form Radiator

SMALL DIAMETER - FF SERIES



LARGE DIAMETER - XFF SERIES

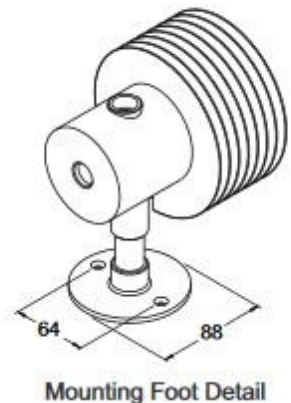


All dimensions shown are in millimetres

Test pressure: **16.9 BAR**
 Max working pressure: **10 BAR**
 Max working temperature: **95° C**
 All steel construction
 Connections: **½ inch BSP opposite end tapings**

This radiator may only be installed horizontally on floor

Heat output determined in accordance with EN 442



Head Office

The Radiator Centre, 7 Holywell Hill, St Albans, AL1 1EU

Tel: 01727 840344

St Albans. Brighton. Islington.
 Clapham. Leamington Spa.

Flow Form Radiator

Assembly Instructions

Sufficient PTFE tape must be applied to valve-tail threads prior to their installation.
Silicone thread sealant should be applied to all threaded components manufactured with 'O-rings'.

Fit valve tails, using correct size Allen key.

Fit air vent (A).

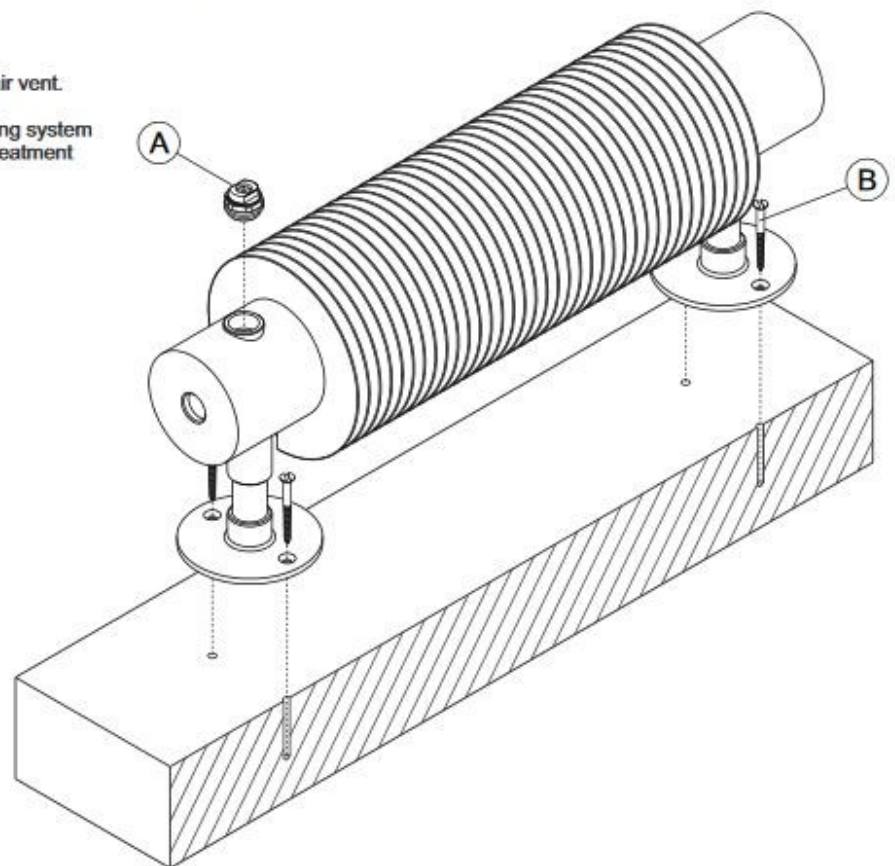
Accurately mark out holes for mounting feet on floor to dimensions as shown on Technical Data Sheet.

Drill four holes to suit screws (B).

Fix radiator to floor with screws (B).

Plumb radiator to heating circuit with flow opposite air vent.

This radiator should be installed onto a central heating system that has been cleaned/flushed and contains water treatment and inhibitors in accordance with BS7593.



Head Office

The Radiator Centre, 7 Holywell Hill, St Albans, AL1 1EU

Tel: 01727 840344

St Albans. Brighton. Islington.
Clapham. Leamington Spa.