

CORDIVARI®

MANUALE D'USO E MANUTENZIONE

USE AND MAINTENANCE MANUAL

MANUEL D'INSTALLATION ET D'ENTRETIEN

BEDIENUNGS- UND WARTUNGSHANDBUCH

MANUAL DE USO Y MANTENIMIENTO



MODELES:

Rosy Pro

1. General warnings	10
2. User information	11
3. Installer information	11
4. Positioning in bathrooms	11
5. Wall mounting	11
6. General information	11
7. Technical Features	12
8. Electrical connection	12
9. Operating modes	12
10. Manufacturer liability	13
11. Disposal	13

EN - Use and Maintenance Manual

1. General warnings

Dear Customer,

Thank you for choosing our product. Carefully read the instructions before installing and/or using the appliance.

- The product is intended for the general public.
- It is recommended to have all installation and adjustment operations performed by qualified personnel.
- Once the product is removed from the package check its integrity. If the product is damaged, do not use it and contact the Cordivari assistance network.
- The unit must be installed in compliance with all local and national technical, plant and safety regulations.
- Before making any connection make sure the supply voltage corresponds to the voltage stated on the characteristic label placed on the appliance.
- If the power supply cable is damaged, contact the manufacturer or its technical assistance service to have it replaced, or, in any case, have the operation carried out by a person with similar qualification in order to prevent any risk.
- For correct operation, use a socket dedicated exclusively to the unit and always provide a grounding system.
- It is mandatory to use a suitable electric switch on the unit's power socket.
- **WARNING** - Some parts of this product may become very hot and cause scalding. Pay extra care when children or vulnerable people are present.
- Unsupervised children under the age of 3 must be kept at a safe distance from the appliance.
- This appliance can't be used by children aged 8 years or older and by people with reduced physical, sensory and mental capabilities, or with no experience and the required knowledge unless they are supervised or they have received instructions on the safe use of the appliance and have understood inherent hazards.
- Children must not play with the appliance;
- Cleaning and maintenance operations intended to be carried out by the user must not be carried out by children without supervision.
- Do not install the device near curtains, other flammable materials, fuels or pressurised containers.
- The appliance must be positioned so that the electronic control can perfectly detect the room temperature, far from external heat sources.
- Do not pour water or other liquids onto the unit, especially on the electrical and electronic components.
- Do not insert or drop objects through the upper air outlet slot. Do not insert objects into the lower air intake area.
- Do not obstruct or cover the upper and lower air passages. It is important to keep the unit well ventilated.
- This manual is available in digital format on the website **www.cordivari.en**.

2. User information

To clean the fan coil painted metal casing, use only a non-abrasive cloth soaked in water. Never use detergents or aggressive substances. Avoid any other base or acid solution, chemical, industrial or other substances, aggressive or corrosive substances (bleach, ammonia, baking soda, etc.). Use a dry cloth for cleaning the plastic parts (top cover, control panel and user interface). Do not use abrasive cloths or sponges.

3. Installer information



Do not open or tamper with the packaging before installation. The unit may only be handled by personnel who are specialised in these operations and have experience of the same. When opening the package, check that the unit has not been damaged during

transport and that it is complete along with all its parts.

To open the packaging follow the instructions below:

1. Check for visible damage
2. Open the package
3. Check that all the components are correctly present
4. Do not throw away the packaging: the installation template is on the back of the box (see next paragraph)
5. After proper installation, dispose of the packaging materials in compliance with the municipal regulations of the area you are based in.



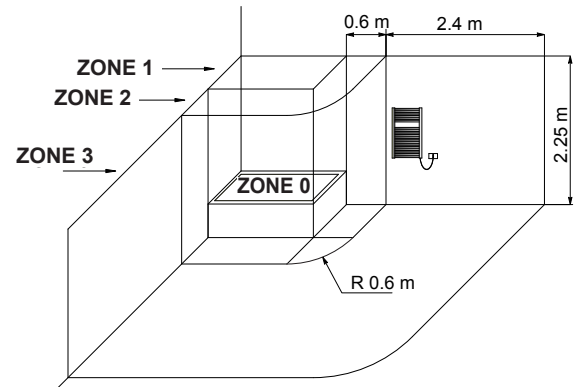
This product is subject to the general warranty conditions set forth in the current official Cordivari catalogue. The warranty is valid from the date of delivery and is void if the production batch label is tampered with and/or removed. The warranty applies after the examination of defects and their causes. The material to be replaced or repaired shall be delivered ex-warehouse at the dealer. The commitment to provide the warranty is subject to the conditions and requirements described below. The radiator has not been damaged during transport, handling or installation and no repair and/or tampering has been carried out by third parties without express authorisation. Before installation, the material has been stored in good conditions and under shelter from the weather. Product installation must be carried out by qualified personnel and in compliance with these instructions and all national and local regulations concerning installation and safety.

N.B. The product does not have a pressure relief valve. It is therefore good installation practice to provide such a device.

4. Positioning in bathrooms

Since Cordivari ventilated radiators are provided with Class II insulation and IP24 minimum protection rating, they must be positioned in hazardous zone 3 (see figure). In any case, always refer to national installation regulations.

The power socket and the differential switch must be positioned in zone 3 and no electric control element must be accessible by a person using the shower or the bath tub.



Position the radiator so that the minimum distance from the ground is 100 mm, that no obstacle is at least 400 mm in front of the suction area and, finally, that the minimum distance between the top of the unit and any wall and/or obstacle is not less than 400 mm, in order to allow for proper air discharge.

5. Wall mounting

Wall mounting of the unit must be carried out according to the instructions in the mounting kit. The fastening systems (screws+blocks) are suitable for compact walls or hollow brick walls. For walls made of different materials, the installer is responsible for the use of suitable fastening systems. The radiator must never be installed upside down or placed in front of the power supply socket.

6. General information

The user instructions as per this booklet refer to Cordivari ventilated radiators, in particular to models:

Height [mm]	Width [mm]	Depth [mm]	Net weight [kg]
ROSY PRO BADEN			
1220	389	99	34.2
1220	445	99	38.5
1220	501	99	43.5
1420	389	99	39.3
1420	445	99	44.4
1420	501	99	50.1
ROSY PRO			
1220	389	99	34.2
1220	445	99	38.5
1220	501	99	43.5
1420	389	99	39.3
1420	445	99	44.4
1420	501	99	50.1
1620	389	99	44.2
1620	445	99	50.3
1620	501	99	56.8
1820	389	99	49.5
1820	445	99	56.2
1820	501	99	63.5

2020	389	99	54.5
2020	445	99	62.1
2020	501	99	70.2

The products presented and described in this manual are equipped with on-board control devices that enable their full use.

7. Technical Features

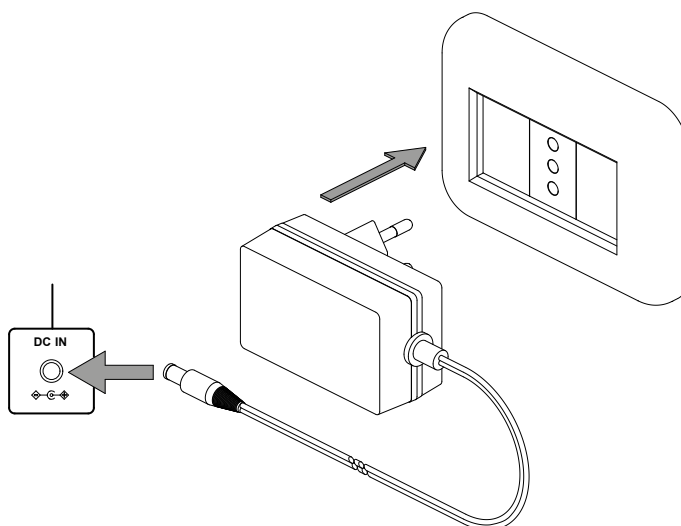
ROSY PRO BADEN L. 389 mm	H 1220	H 1420	H 1620	H 1820	H 2020
Thermal powers at ΔT 30°C					
FAN OFF power [W]	441	510	593	655	708
FAN LOW power [W]	540	641	838	898	1042
FAN MED power [W]	576	678	932	1000	1139
FAN HIGH power [W]	604	714	1014	1090	1268
FAN BOOST power [W]	636	745	1156	1244	1418
Thermal powers at ΔT 50°C					
FAN OFF power [W]	861	994	1150	1271	1380
FAN LOW power [W]	998	1172	1503	1614	1890
FAN MED power [W]	1074	1256	1671	1797	2066
FAN HIGH power [W]	1138	1333	1818	1958	2300
FAN BOOST power [W]	1208	1404	2072	2237	2571
ROSY PRO BADEN L. 445 mm	H 1220	H 1420	H 1620	H 1820	H 2020
Thermal powers at ΔT 30°C					
FAN OFF power [W]	511	590	663	744	820
FAN LOW power [W]	625	742	957	1034	1234
FAN MED power [W]	666	785	1069	1152	1342
FAN HIGH power [W]	700	826	1168	1256	1485
FAN BOOST power [W]	737	862	1340	1436	1651
Thermal powers at ΔT 50°C					
FAN OFF power [W]	997	1151	1285	1444	1598
FAN LOW power [W]	1155	1357	1702	1853	2216
FAN MED power [W]	1244	1454	1902	2064	2411
FAN HIGH power [W]	1318	1543	2078	2250	2668
FAN BOOST power [W]	1399	1625	2384	2572	2964
ROSY PRO BADEN L. 501 mm	H 1220	H 1420	H 1620	H 1820	H 2020
Thermal powers at ΔT 30°C					
FAN OFF power [W]	580	671	752	840	903
FAN LOW power [W]	710	843	1047	1209	1368
FAN MED power [W]	757	892	1177	1366	1505
FAN HIGH power [W]	795	939	1292	1507	1687
FAN BOOST power [W]	837	980	1493	1753	1901
Thermal powers at ΔT 50°C					
FAN OFF power [W]	1133	1308	1459	1639	1763
FAN LOW power [W]	1312	1542	1864	2130	2449
FAN MED power [W]	1413	1652	2095	2407	2694
FAN HIGH power [W]	1497	1754	2300	2655	3021
FAN BOOST power [W]	1590	1847	2658	3088	3403

- Supply voltage 230 V AC 50 Hz
- Electrical insulation: Class II
- Fuse type: FUSE 5X20 T2A FPG2 250 VAC
- Brushless motor DC24V 16W 1400 rpm Class B
- Ambient operating temperature from 5°C to +30°C – 60% RH
- Maximum flow temperature 75 °C
- Maximum operating pressure 5 bar (0.5 Mpa)

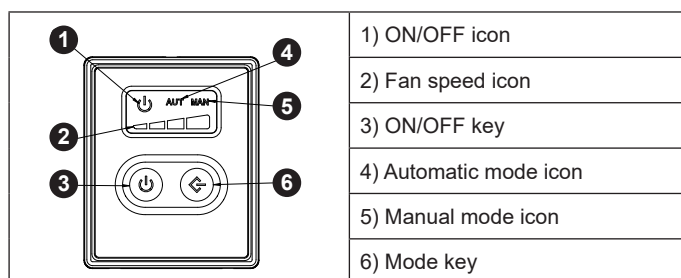
8. Electrical connection

Before connection, make sure that the equipment rated voltage (230 V AC 50 Hz) is equal to the mains voltage, and that the socket is able to provide the rated current corresponding to the maximum power of the model selected. Moreover, such socket must be controlled through a double-pole switch used to switch the radiator on and off. In case of damage, the repair must be carried out solely and exclusively by the manufacturer.

To make the electrical connection, the external wall power supply unit, supplied as standard, must be connected to the socket on the lower part of the product.



9. Operating modes



When the power supply unit has been connected to the device, to switch the device on it is necessary to press the "ON/OFF key" [3] with visual feedback of icon [1] which will turn green. When the device is switched on, you will be in manual mode by default. If you want to switch to automatic mode, simply press the "Mode Key" [6] 4 times. To return to manual mode again, simply press the "Mode key" [6] once. To switch off the device, press the "ON/OFF key" again, the icon [1] will turn red.

The available operating modes are:

- Manual mode: the user can use the "mode" key to select the 4 fan

speeds, regardless of the flow temperature values.

- Automatic mode: the fan speed is automatically adjusted according to the flow temperature read by the NTC probe located on the living radiator. The algorithm will choose whether to switch off, modulate or bring the fan to the maximum speed. The display always shows the current operating status. The correct operation of the product in this mode is strictly dependent on compliance with the water inlet/outlet indications (stickers on the product). The probe, in fact, is positioned close to the water inlet to allow the algorithm to work efficiently.

In case of malfunction due to the disconnection of the NTC probe the icon [1] will turn yellow. With this type of error, the automatic mode is not available, but operation of the living radiator in manual mode is still possible. In any case, it is recommended to contact the Cordivari service network.

10. Manufacturer liability

The manufacturer declines any liability for damages to persons and property caused by:

- use of the appliance other than intended;
- non-observance of the user manual instructions;
- tampering with even just one part of the appliance;
- use of non-original spare parts.

11. Disposal



At the end of its working life, this appliance must be delivered to the special collection facilities for recycling, since it is not a standard domestic waste. In case of replacement, it can be delivered to your distributor.

This management of the end of the life of a product allows us to preserve our environment and to limit the use of natural resources. This symbol, applied on the product, indicates the obligation to deliver the product at the end of its working life to a special collection facility, in compliance with Directive 2012/19/UE.

DECLARATION OF CONFORMITY

The company Cordivari S.r.l., with registered office in Zona Industriale Pagliare, Morro D'Oro (TE), Italy, declares under its own responsibility that the ventilated radiators referred to in para. 6 comply with the following standards:

EN 603351:2012 + A11:2014 + A13:2017 + A1:2019 + A14:2019 + A2:2019 + A15:2021

IEC 60335-1:2010 + AMD1:2013 + AMD2:2016

EN IEC 60335-2-40: 2023 + EN IEC 60335-2-40:2023/A11:2023

IEC 60335-2-40:2022

EN IEC 55014-1:2021

EN IEC 55014-2:2021

EN IEC 61000-3-2:2019 + A1:2021

EN 61000-3-3:2013 + A1:2019 + A2:2021

and therefore meet the essential requirements of the following European Regulations and Directives:

Directive 2014/35/EU

Directive 2014/30/EU

Directive 2012/19/EU

Directive 2009/125/EC

Directive 2011/65/EU amended by 2015/863/EU and 2017/2102/EU

Morro D'Oro, 01/07/2024

Cav. Ercole Cordivari
Amministratore unico

Ercole Cordivari