



5 YEARS WARRANTY

PRODUCT CERTIFICATES



MATERIAL:

Vertical collectors in painted carbon steel with ϕ of 30 mm
 Heating elements in painted carbon steel
 Heating plate in polished stainless steel

FIXING KIT:

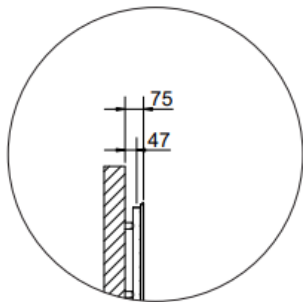
Brackets, airvent, hexagonal tool, plugs and screws for mounting suitable for use on compact or hollow brick, installation notice.
 The kit is certified from TÜV in compliance with VDI 6036-class 4.

PACKAGING:

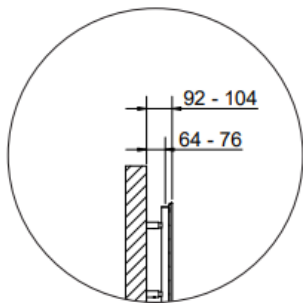
The radiator is protected by a film in polyethylene and with a carton box.
 Use and maintenance notice included.

FEATURES:

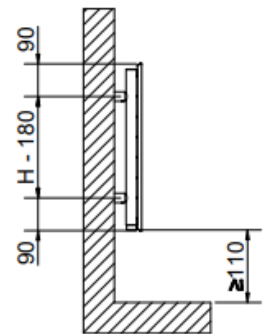
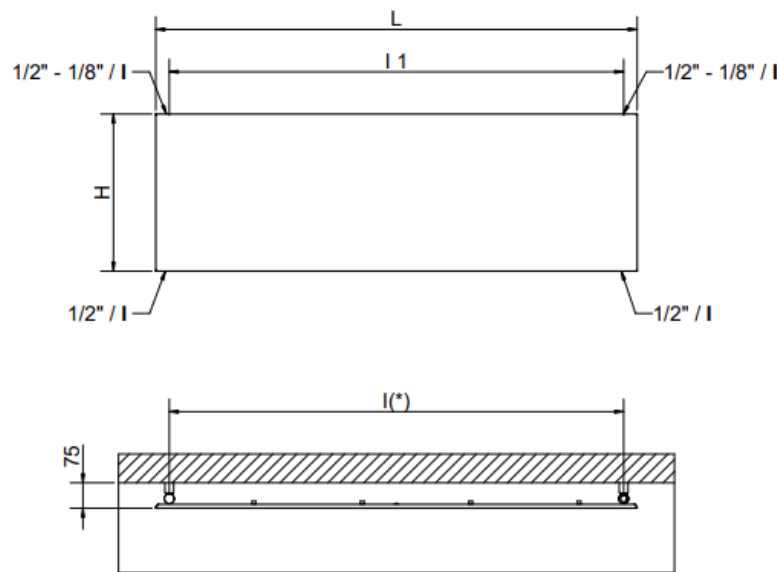
Heating plate is totally made in stainless steel with an unalterable finishing.
 Brightness guaranteed during the years.



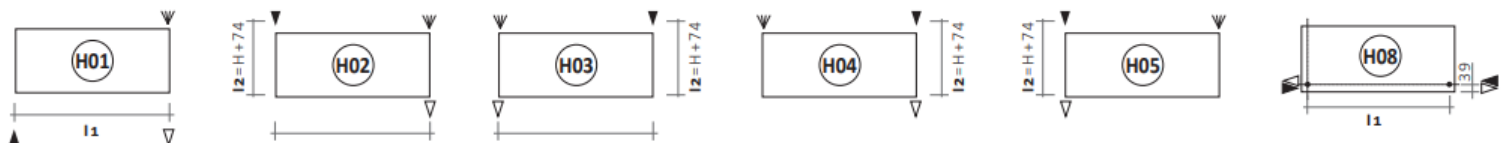
H01 - H02 - H03
 H04 - H05



H08



Standard connections



Always specify the kind of connection needed when ordering (from H1 to H8).

I2: valid only for Elegant Cordivari square valves.

Legend = In Out Airvent **H** Height **I** Pipe Centres **L** Width Connection

Head Office

The Radiator Centre, 7 Holywell Hill, St Albans, AL1 1EU

Tel: 01727 840344

FRAME INOX HORIZONTAL - POLISHED STAINLESS STEEL

DDD: replace with the type of connection.

Art. Nr.	Width L [mm]	Height H [mm]	Pipe Centres		Dry Weight [Kg]	Surface [m ²]	Water Content [lt]	Thermal output Watt		Exponent n
			(H01-H02- H03-H8)	(H02-H03- H04-H5)				Δt = 50°C	Δt = 30°C	
FRST 352 10 DDD X01 B	1022	352	942	432	7,2	0,75	2,64	381	197	1,2894
FRST 464 10 DDD X01 B		464	942	544	9,7	0,98	3,5	499	258	1,2894
FRST 576 10 DDD X01 B		576	942	649	12,0	1,21	4,4	617	319	1,2894
FRST 688 10 DDD X01 B		688	942	768	14,6	1,44	5,2	735	380	1,2894
FRST 352 12 DDD X01 B	1222	352	1142	432	8,6	0,89	3,02	455	236	1,2881
FRST 464 12 DDD X01 B		464	1142	544	11,4	1,17	4,0	596	309	1,2881
FRST 576 12 DDD X01 B		576	1142	649	14,0	1,44	5,1	736	381	1,2881
FRST 688 12 DDD X01 B		688	1142	768	17,2	1,72	6,1	877	454	1,2881
FRST 352 14 DDD X01 B	1422	352	1342	432	9,9	1,04	3,5	529	274	1,2867
FRST 464 14 DDD X01 B		464	1342	544	13,2	1,36	4,6	692	359	1,2867
FRST 576 14 DDD X01 B		576	1342	649	16,5	1,68	5,9	856	444	1,2867
FRST 688 14 DDD X01 B		688	1342	768	19,8	2,00	7,0	1020	529	1,2867
FRST 352 16 DDD X01 B	1622	352	1542	432	11,2	1,16	3,8	595	309	1,2854
FRST 464 16 DDD X01 B		464	1542	544	14,9	1,55	5,2	789	409	1,2854
FRST 576 16 DDD X01 B		576	1542	649	18,6	1,94	6,8	976	506	1,2854
FRST 352 18 DDD X01 B	1822	352	1742	432	12,5	1,33	4,37	676	351	1,2840
FRST 464 18 DDD X01 B		464	1742	544	16,6	1,74	5,8	880	457	1,2840
FRST 576 18 DDD X01 B		576	1742	649	20,9	2,15	7,2	1100	571	1,2840
FRST 688 18 DDD X01 B		688	1742	768	25,0	2,56	8,7	1304	677	1,2840
FRST 352 20 DDD X01 B	2022	352	1942	432	13,5	1,47	4,85	750	390	1,2826
FRST 464 20 DDD X01 B		464	1942	544	18,4	1,93	6,4	978	508	1,2826
FRST 576 20 DDD X01 B		576	1942	649	23,0	2,38	8,0	1222	635	1,2826
FRST 688 20 DDD X01 B		688	1942	768	27,6	2,84	9,6	1447	751	1,2826

For output at different Δt than 50°C, please refer to the following formula = desired output = output at Δt 50°C x (desired Δt/50)ⁿ

The Radiator Centre reserves the right to alter design, specifications and prices without prior notice.

All prices shown exclude VAT. All sales are subject to our standard Terms and Conditions which can be found on www.theradiatorcentre.com All heat outputs are shown at an operating temperatures of 75/65/20 (Δt50°).
To recalculate to show at 90/70/20 (Δt60°) multiply by 1.264.

All radiators will be supplied with the necessary fixture and fittings - brackets, air vents, etc.
Valves are not included in the prices quoted above

Head Office

The Radiator Centre, 7 Holywell Hill, St Albans, AL1 1EU

Tel: 01727 840344