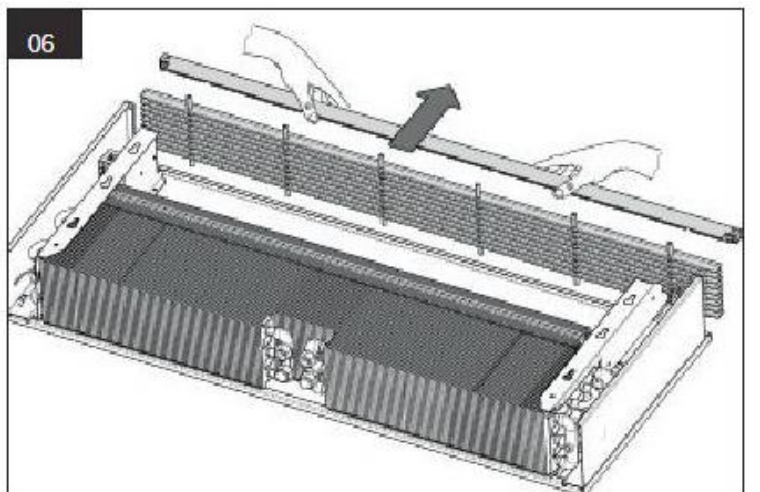
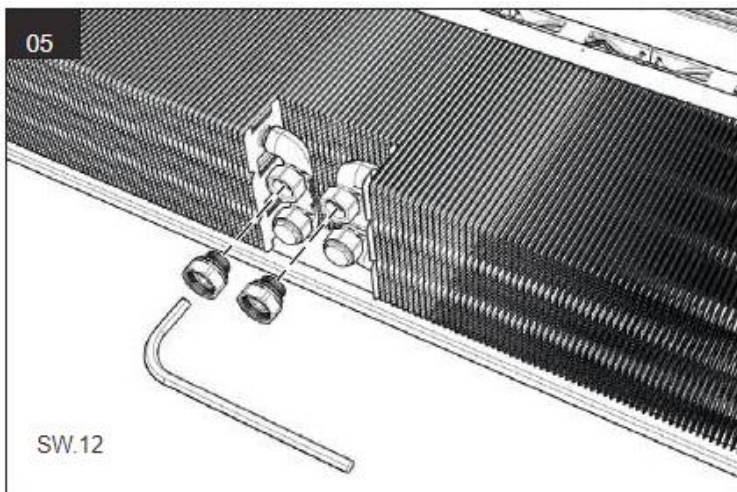
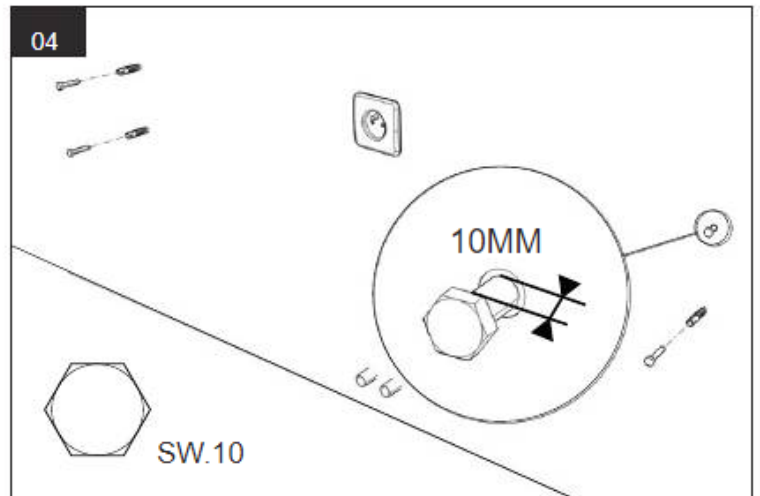
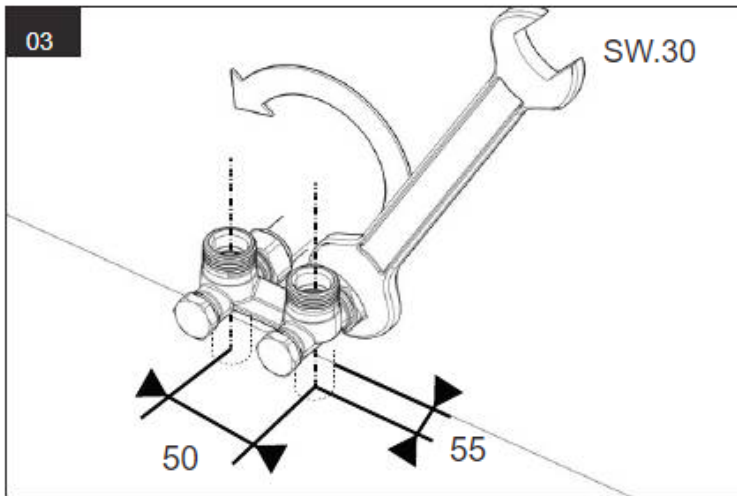
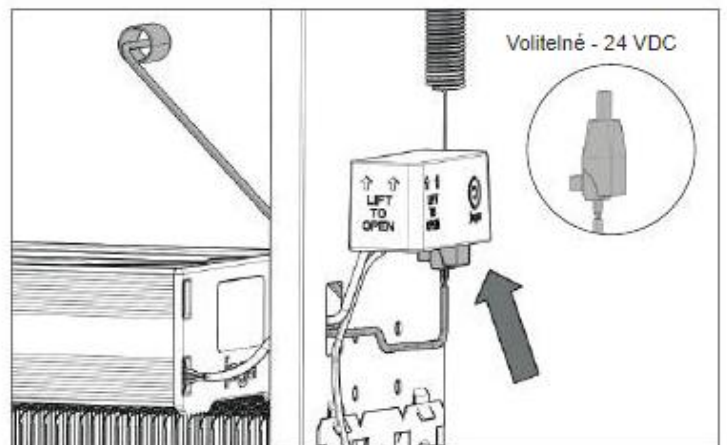
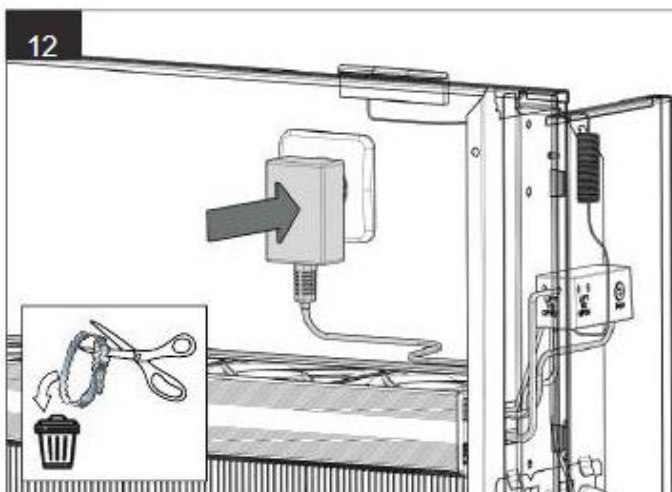
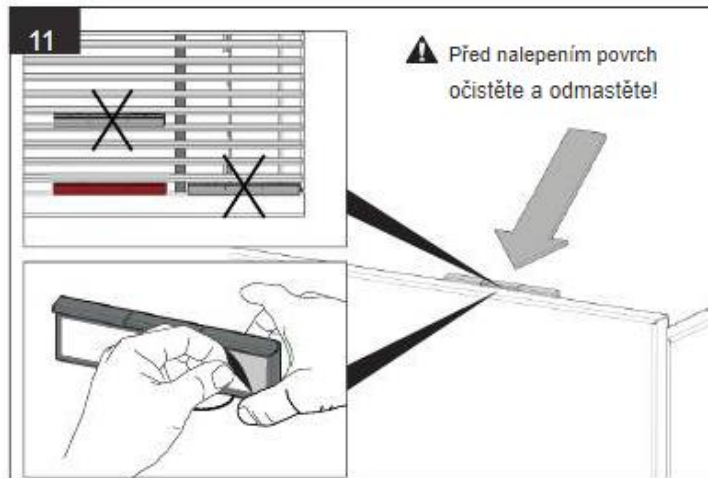
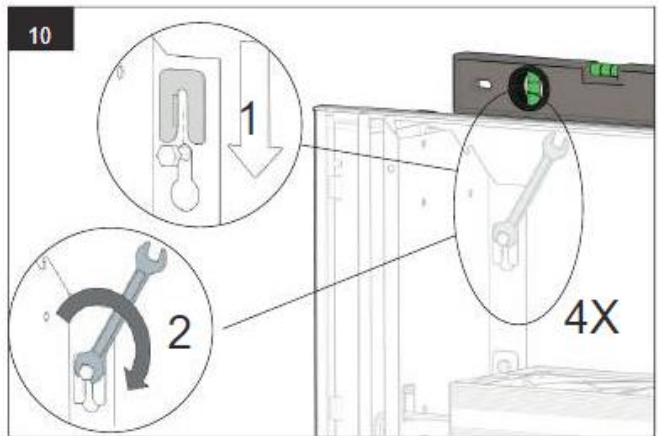
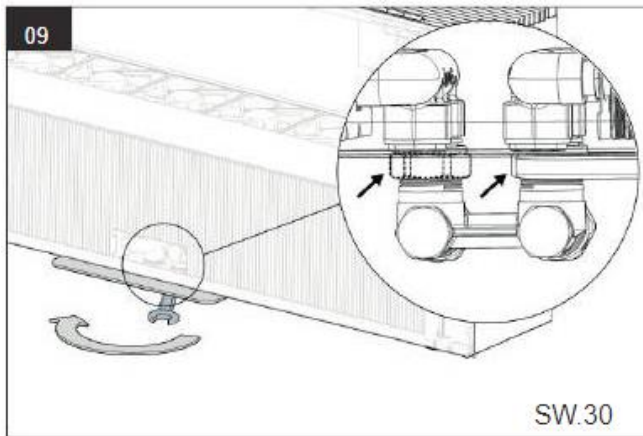
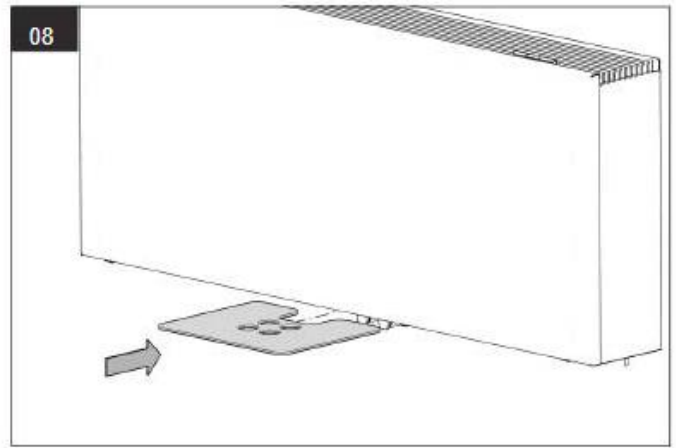
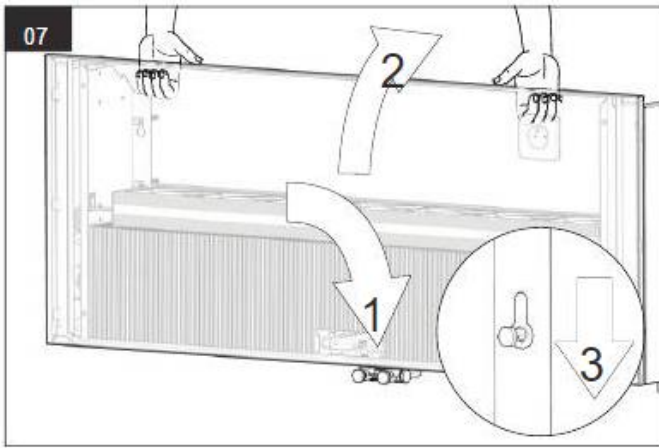
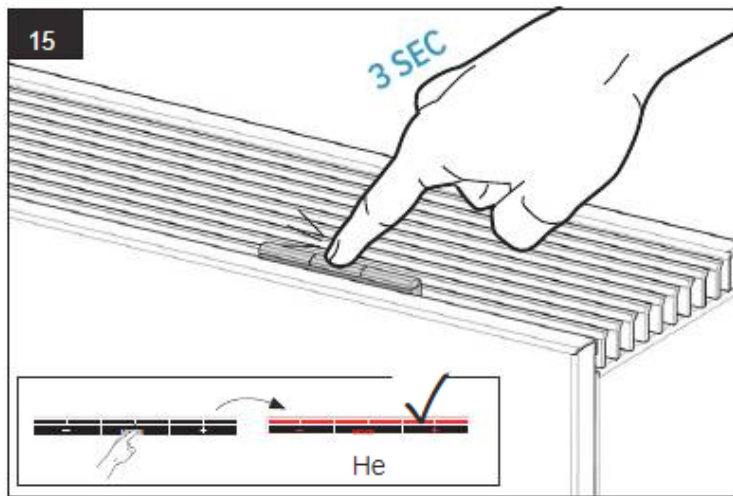
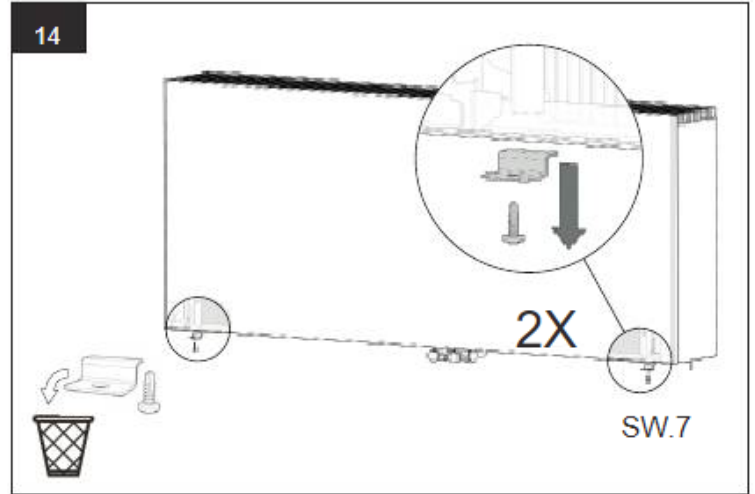
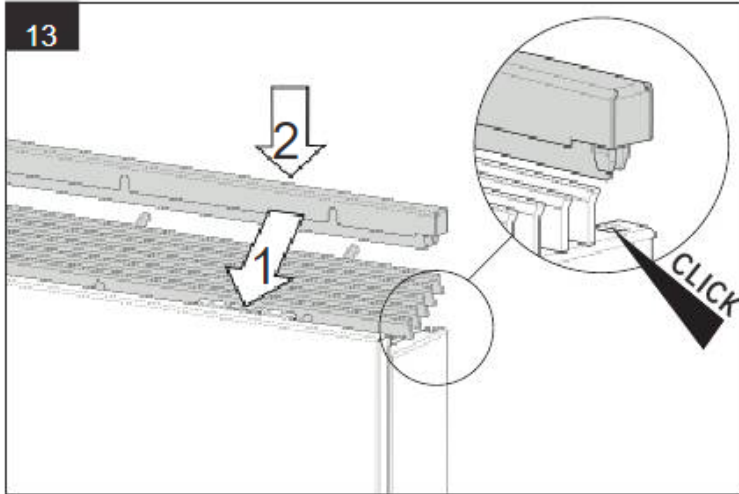


L	600	800	1000	1200	1400
X	212	312	412	515	614
H	350 / 500 / 650	350 / 500 / 650	350 / 500 / 650	350 / 500 / 650	350 / 500 / 650

TYP	11			16			21		
H	350	500	650	350	500	650	350	500	650
B	40	110	260	/	110	260	/	110	260







! U cooling: this unit does not have monitoring dew point. It must be installed by a qualified technicians at the most critical point! Condensation cooling in As a result of a malfunction, the dew point control function may cause damage to the unit and its surroundings!

! Enabling the internal screw drive you vent. Before installing the housing unit bleed and check for leaks.



The Radiator Centre reserves the right to alter design, specifications and prices without prior notice.

All prices shown exclude VAT. All sales are subject to our standard Terms and Conditions which can be found on www.theradiatorcentre.com All heat outputs are shown at an operating temperatures of 75/65/20 ($\Delta t50^\circ$).

To recalculate to show at 90/70/20 ($\Delta t60^\circ$) multiply by 1.264.

All radiators will be supplied with the necessary fixture and fittings - brackets, air vents, etc.
Valves are not included in the prices quoted above

Head Office

The Radiator Centre, 7 Holywell Hill, St Albans, AL1 1EU

Tel: 01727 840344