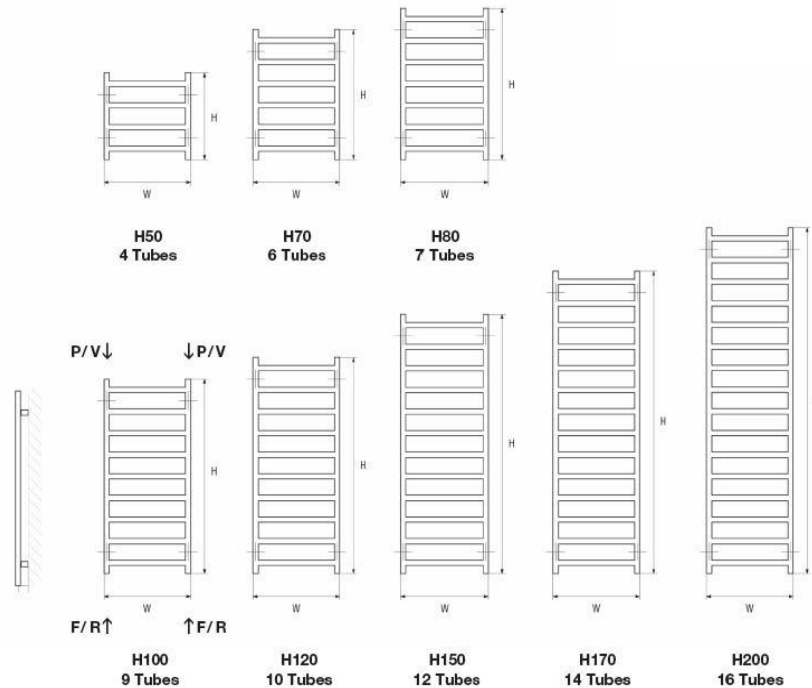


**TECHNICAL INFORMATION**  
**STANDARD CONNECTIONS 1/2"**  
 F = Flow P = Plug  
 R = Return V = Vent

Wall to front face = 72-80mm  
 Wall to pipe centre = 57-65mm



Technical Specifications

Materials Mild Steel  
 Connections 1/2" Flow and Return

Test Pressure 8 Bar

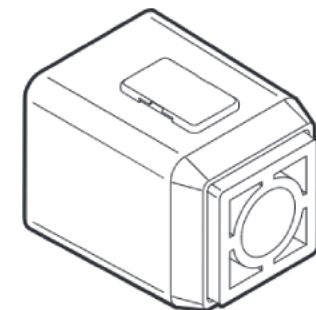
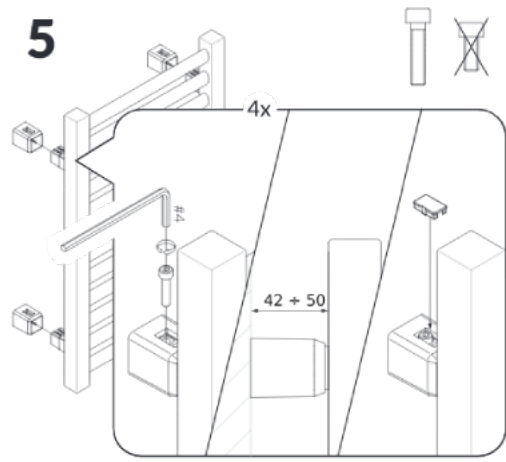
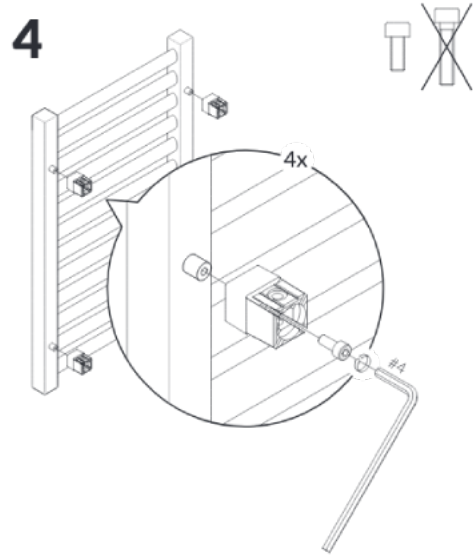
Testing Authority EN442

Max operation pressure 6 Bar

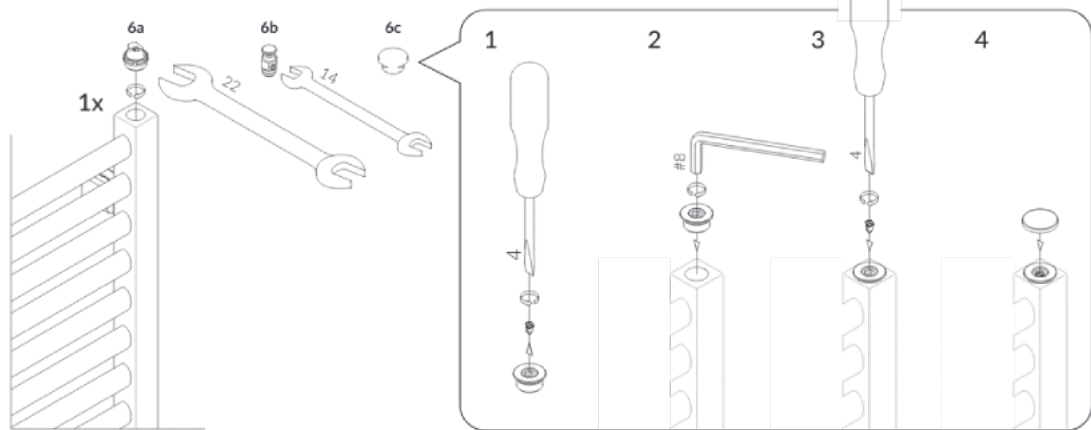
Max working temperature 55c

These can be cleaned using a soft damp cloth with a non-abrasive cleaning product.

**PLEASE NOTE:** That in accordance with Part L1 2006 of the Building Regulations and BS7593:1992 code of practice for the treatment of hot water and central heating systems, we recommend flushing the heating system before installation of new towel rails and then adding the correct quantity and type of inhibitor for use with the towel rail and system to prevent corrosion. Damage caused to systems not protected by a suitable inhibitor will not be covered by the manufacturer warranty. It is the responsibility of the installer to ensure the correct use and suitability of the fixings provided. No liability for costs or damages arising from failure to do so can be accepted.

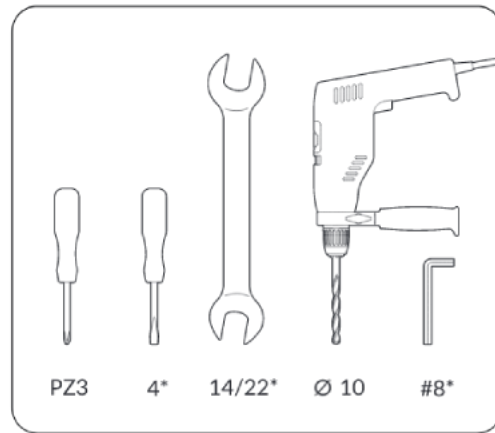
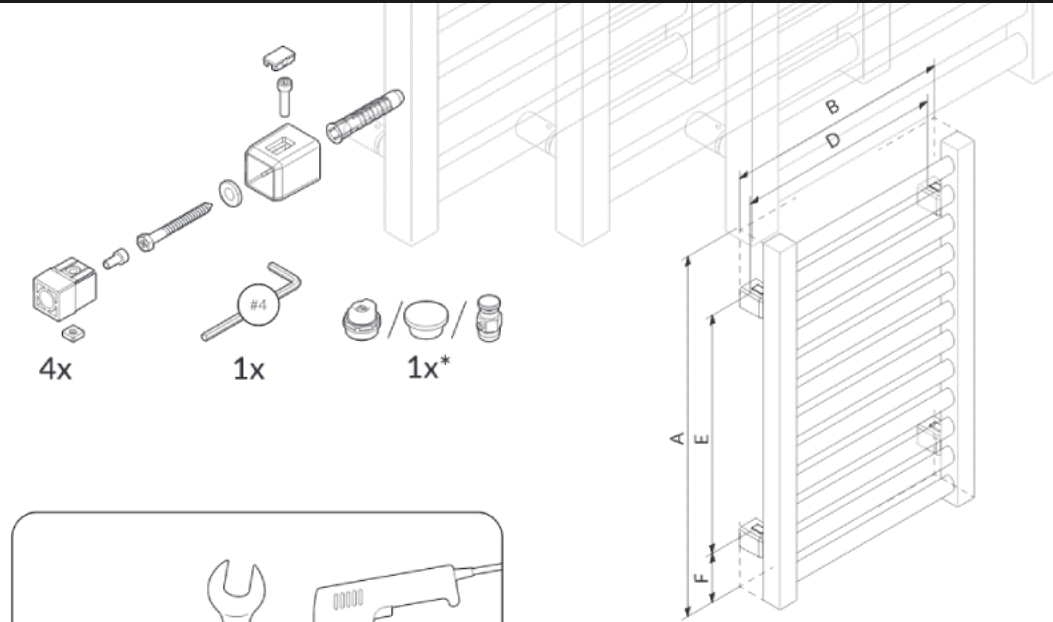


**6 a/b/c\***



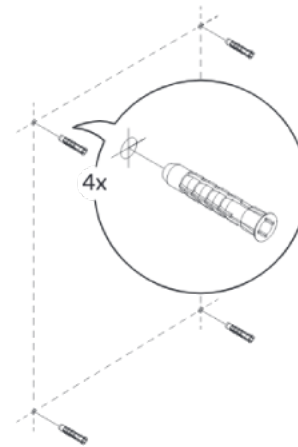
# User Manual

Mounting bracket **MKP/MKS**  
4x

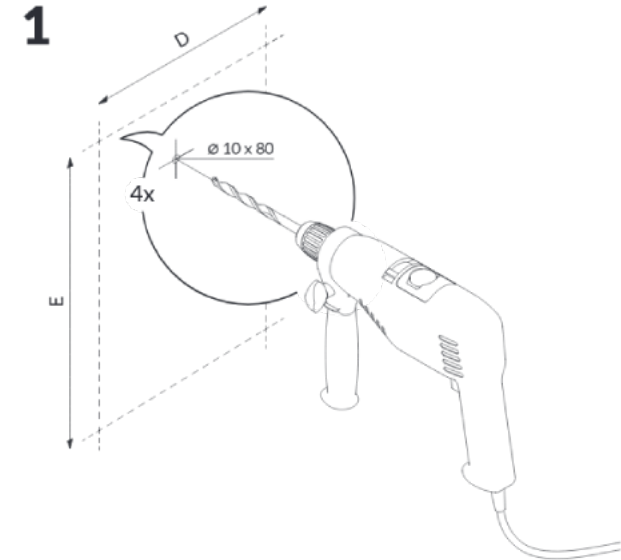


\* Refers to water and dual fuel version

2



1



3

