



EUROPEAN WARRANTY



MATERIAL:

- Horizontal collectors in painted mild steel ϕ 30 mm.
- Double vertical heating elements in painted mild steel ϕ 38 mm.

FIXING KIT:

Brackets, airvent, hexagonal tool, plugs and screws for mounting suitable for use on compact or hollow brick, user notice.

PACKAGING:

Carton angular and profiles protected by a recyclable film in polyethylene. User notice included.

PAINTING PROCESS:

Painted with ecological epoxy powders (Certificate DIN 55900-1,-2).

COLOURS:

See colour chart.

ACCESSORIES:

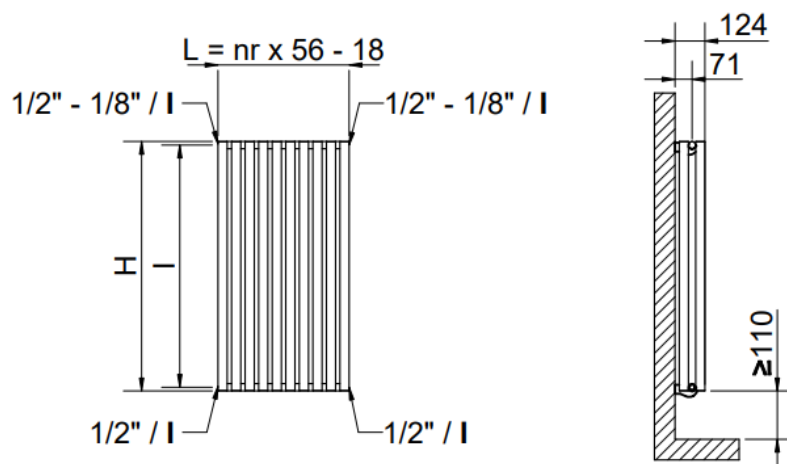
For the complete list, please refer to the accessories chapter.

P. max: 8 bar

T. max: 110° C

Functioning: hot water

Connections: n° 2 x 1/2" G - n° 1 da 1/8" G



Head Office

The Radiator Centre, 7 Holywell Hill, St Albans, AL11EU

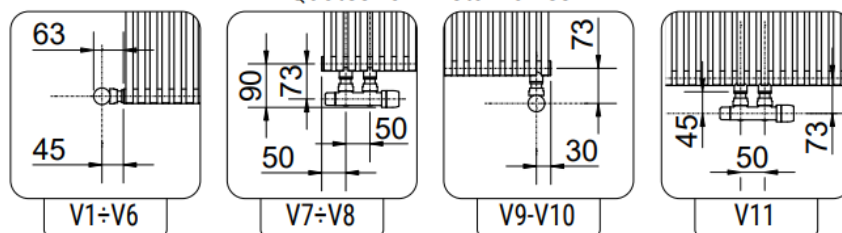
Tel: 01727 840344

Height H [mm]	330	380	430	474	530	574	630	724	780
Therm. output per el. $\Delta t = 50\text{ }^{\circ}\text{C}$ [Watt]	44,5	50,1	55,5	60,2	66,1	70,7	76,4	86	91,7
Therm. output per el. $\Delta t = 30\text{ }^{\circ}\text{C}$ [Watt]	23,5	26,3	29,2	31,6	34,6	37	40	44,9	47,8
Dry Weight per section [kg]	0,838	0,947	1,056	1,129	1,274	1,347	1,492	1,674	1,819
Element water content [lt]	0,721	0,821	0,92	1,011	1,119	1,21	1,318	1,508	1,617
Element surface [m ²]	0,089	1,01	0,113	0,124	0,137	0,148	0,161	0,183	0,197
Exp. n	1,2541	1,2565	1,2589	1,2611	1,2638	1,2660	1,2686	1,2731	1,2758
Pipe centres l [mm] (V3-V4 only)	300	350	400	444	500	544	600	694	750

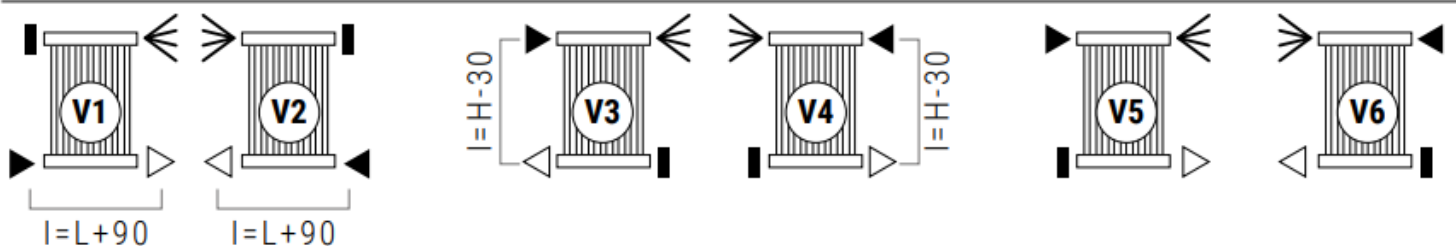
For output at different ΔT , please refer to the following formula: $\text{desired output} = \text{output at } \Delta T 50 \times (\text{desired } \Delta t / 50)^n$

Height H [mm]	830	874	930	1030	1774	1830	1974	2030
Therm. output per el. $\Delta t = 50\text{ }^{\circ}\text{C}$ [Watt]	96,7	101,1	106,7	116,6	190	195,5	209,9	215,5
Therm. output per el. $\Delta t = 30\text{ }^{\circ}\text{C}$ [Watt]	50,3	52,6	55,5	60,7	98,7	101,6	109,1	112,1
Dry Weight per section [kg]	1,928	2,001	2,146	2,364	3,963	4,108	4,399	4,544
Element water content [lt]	1,716	1,807	1,916	2,115	3,599	3,707	3,997	4,105
Element surface [m ²]	0,209	0,219	0,233	0,256	0,434	0,447	0,482	0,495
Exp. n	1,2782	1,2785	1,2787	1,2792	1,2828	1,2822	1,2804	1,2797
Pipe centres l [mm] (V3-V4 only)	800	844	900	1000	1744	1800	1944	2000

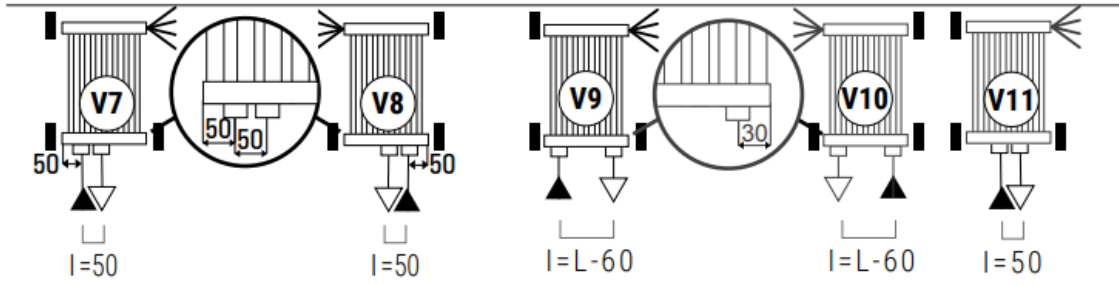
Quotes for Kristal valves



STANDARD CONNECTIONS WITHOUT SURCHARGE



SPECIAL CONNECTIONS



LEGENDA: In Out airvent H Height I pipe centres L width connection welded cap

Always specify the kind of connection needed when ordering.
Bidirectional pipe connection not available

HOW TO ORDER THE RADIATOR ARIANNA TANDEM

ARTICLE NR. STRUCTURE	Radiator model	Nr of Elements	Height in cm	Code of the connection	Code of the colour	Constant value
AAAA	BB	CCC	DDD	EEE	A	

EXAMPLE	Radiator model E.g.: Arianna Tandem	Nr of Elements E.g.: 16 elements	Height in cm Example: 1830 mm	Code of the connection Example: connection V2	Code of the colour Example: S16 - Canary	Constant value
AT38	16	183	V02	S16	A	

EXAMPLE OF ARTICLE CODE CREATION

In the case of a radiator:
AT38ARIANNA tandem
1616 elements
183Height 1830 mm
V02connection V2
S16colour S16 - Canary
A(Constant value)
 The article code will be:
AT38 16 183 V02 S16 A

Height H [mm]		330	380	430	474	530	574	630	724	780
Width L [mm]	N° El.	Watt Δt=50°C	Watt Δt=50°C	Watt Δt=50°C	Watt Δt=50°C	Watt Δt=50°C	Watt Δt=50°C	Watt Δt=50°C	Watt Δt=50°C	Watt Δt=50°C
318	6	267	301	333	361	397	424	458	516	550
374	7	312	351	389	421	463	495	535	602	642
430	8	356	401	444	482	529	566	611	688	734
486	9	401	451	500	542	595	636	688	774	825
542	10	445	501	555	602	661	707	764	860	917
598	11	490	551	611	662	727	778	840	946	1009
654	12	534	601	666	722	793	848	917	1032	1100
710	13	579	651	722	783	859	919	993	1118	1192
766	14	623	701	777	843	925	990	1070	1204	1284
822	15	668	752	833	903	992	1061	1146	1290	1376
878	16	712	802	888	963	1058	1131	1222	1376	1467
934	17	757	852	944	1023	1124	1202	1299	1462	1559
990	18	801	902	999	1084	1190	1273	1375	1548	1651
1046	19	846	952	1055	1144	1256	1343	1452	1634	1742
1102	20	890	1002	1110	1204	1322	1414	1528	1720	1834
1158	21	935	1052	1166	1264	1388	1485	1604	1806	1926
1214	22	979	1102	1221	1324	1454	1555	1681	1892	2017
1270	23	1024	1152	1277	1385	1520	1626	1757	1978	2109
1326	24	1068	1202	1332	1445	1586	1697	1834	2064	2201
1382	25	1113	1253	1388	1505	1653	1768	1910	2150	2293
1438	26	1157	1303	1443	1565	1719	1838	1986	2236	2384
1494	27	1202	1353	1499	1625	1785	1909	2063	2322	2476
1550	28	1246	1403	1554	1686	1851	1980	2139	2408	2568
1606	29	1291	1453	1610	1746	1917	2050	2216	2494	2659
1662	30	1335	1503	1665	1806	1983	2121	2292	2580	2751

Head Office

The Radiator Centre, 7 Holywell Hill, St Albans, AL1 1EU

Tel: 01727 840344

Height H [mm]		830	874	930	1030	1774	1830	1974	2030
Width L [mm]	N° El.	Watt $\Delta t=50^{\circ}\text{C}$	Watt $\Delta t=50^{\circ}\text{C}$	Watt $\Delta t=50^{\circ}\text{C}$	Watt $\Delta t=50^{\circ}\text{C}$	Watt $\Delta t=50^{\circ}\text{C}$	Watt $\Delta t=50^{\circ}\text{C}$	Watt $\Delta t=50^{\circ}\text{C}$	Watt $\Delta t=50^{\circ}\text{C}$
318	6	580	607	640	700	1140	1173	1259	1293
374	7	677	708	747	816	1330	1369	1469	1509
430	8	774	809	854	933	1520	1564	1679	1724
486	9	870	910	960	1049	1710	1760	1889	1940
542	10	967	1011	1067	1166	1900	1955	2099	2155
598	11	1064	1112	1174	1283	2090	2151	2309	2371
654	12	1160	1213	1280	1399	2280	2346	2519	2586
710	13	1257	1314	1387	1516	2470	2542	2729	2802
766	14	1354	1415	1494	1632	2660	2737	2939	3017
822	15	1451	1517	1601	1749	2850	2933	3149	3233
878	16	1547	1618	1707	1866				
934	17	1644	1719	1814	1982				
990	18	1741	1820	1921	2099				
1046	19	1837	1921	2027	2215				
1102	20	1934	2022	2134	2332				
1158	21	2031	2123	2241	2449				
1214	22	2127	2224	2347	2565				
1270	23	2224	2325	2454	2682				
1326	24	2321	2426	2561	2798				
1382	25	2418	2528	2668	2915				
1438	26	2514	2629	2774	3032				
1494	27	2611	2730	2881	3148				
1550	28	2708	2831	2988	3265				
1606	29	2804	2932	3094	3381				
1662	30	2901	3033	3201	3498				

The Radiator Centre reserves the right to alter design, specifications and prices without prior notice.

All prices shown exclude VAT. All sales are subject to our standard Terms and Conditions which can be found on www.theradiatorcentre.com All heat outputs are shown at an operating temperatures of 75/65/20 ($\Delta t=50^{\circ}$). To recalculate to show at 90/70/20 ($\Delta t=60^{\circ}$) multiply by 1.264.

All radiators will be supplied with the necessary fixture and fittings - brackets, air vents, etc.
Valves are not included in the prices quoted above

Head Office

The Radiator Centre, 7 Holywell Hill, St Albans, AL1 1EU

Tel: 01727 840344